

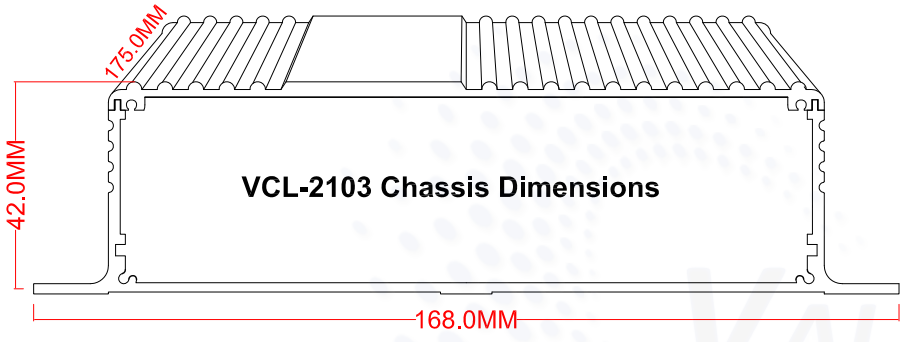
REVISION
DATE
NAME
CHECK
CHECK
CHECK
DATE
REVISION
DATE
CHECK
CHECK
CHECK
APPR.

The Drawing and any information or descriptive matter set out hereon are the confidential property of Valiant Communications and must not be disclosed, loaned, copied, used for manufacturing, tending or any other purpose without their written permission

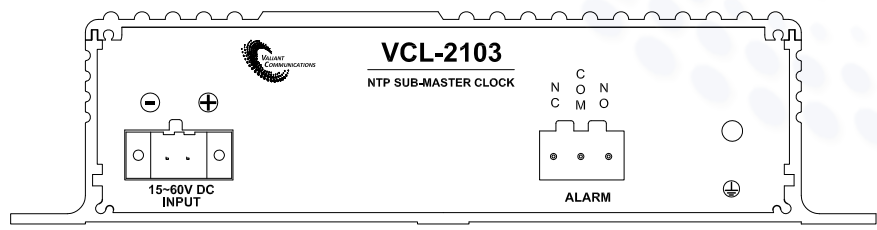
1 2 3 4 5 6 7 8 9 10 11 12 13 14 15

Mechanical Drawing of VCL-2103 NTP Sub-Master Clock

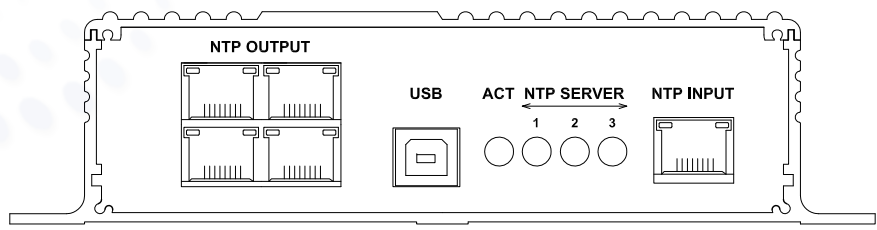
VCL-2103	
Mechanical Dimensions	
Width	168.0 MM
Height	42.0 MM
Depth	175.0 MM
Weight	0.8kg



Front View



Rear View



Title: Mechanical Drawing of VCL-2103 NTP Sub-Master Clock



Valiant
Communications

Drawing No:
EMD-2103/NTP/SMC/001

Date	Rev	Sheet	01
Nov 10, 2022	01	Next Sheet	02

A
B
C
D
E
F
G
H
J
K

1 2 3 4 5 6 7 8 9 10 11 12 13 14 15

A APPR.

B CHECK

C DATE

D REVISION

E

F

G

H

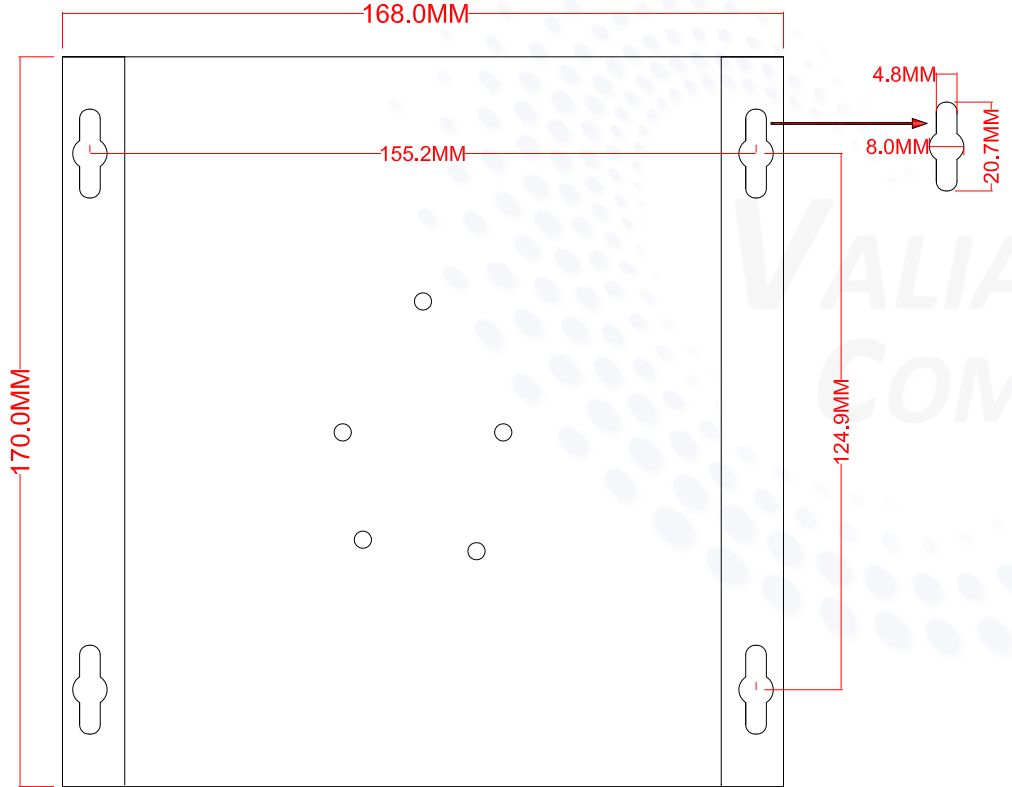
I

J

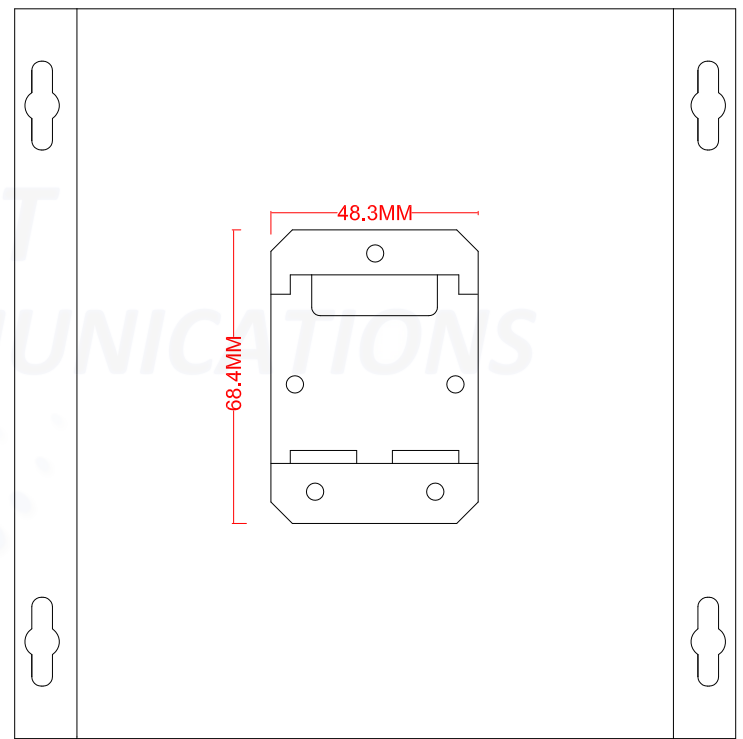
K

Mechanical Drawing of VCL-2103 NTP Sub-Master Clock

VCL-2103 Bottom View	
Mechanical Dimensions	
Width	168.0 MM
Height	170.0 MM



Bottom View



Bottom View with DIN Rail

Title: Mechanical Drawing of VCL-2103 NTP Sub-Master Clock



Valiant
Communications

Drawing No:
EMD-2103/NTP/SMC/002

Date	Rev	Sheet	02
Nov 10, 2022	01	Next Sheet	END